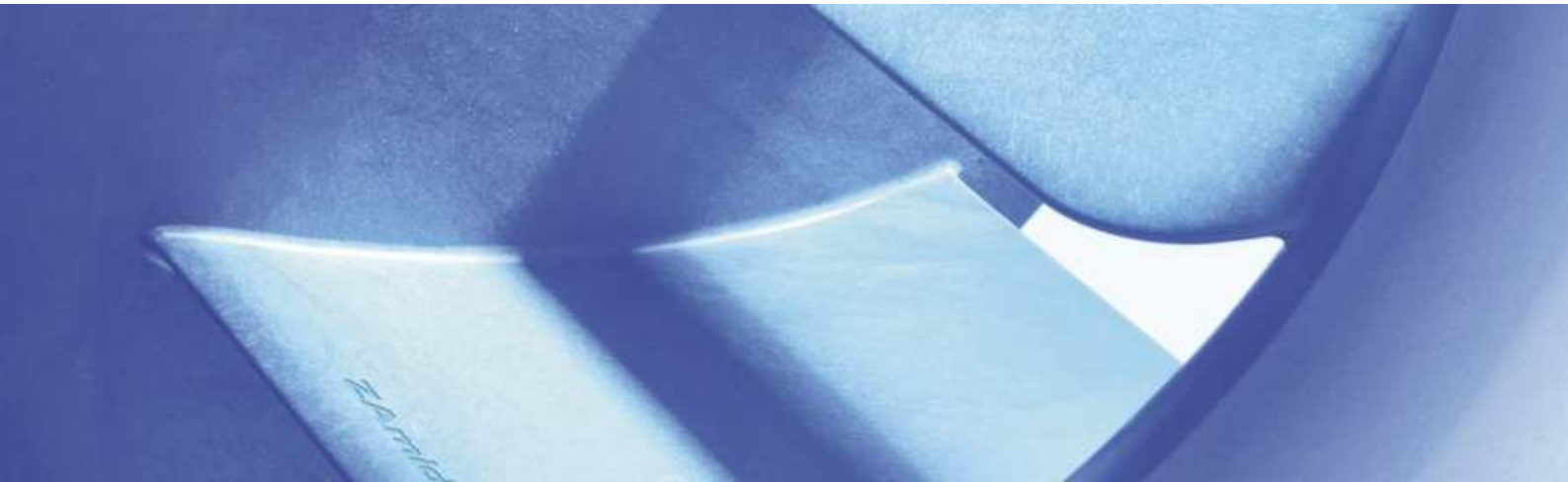


Movement by Perfection



The Royal League in **ventilation**, control and drive technology



Product documentation

Type  
RH56C-ZID.GG.CR

Article number  
114631

## Product documentation

Customer

ZIEHL-ABEGG Contact

Project

ZIEHL-ABEGG Subsidiary  
Brazil  
ZIEHL-ABEGG do Brazil Imp.,  
Exp. e Com. de Equipamentos  
de Ventilação Ltda.  
Rua Osasco, 1.295  
Centro Empresarial Anhanguera  
Cajamar -SP - CEP 07753-040  
BRAZIL  
Phone + 55 11 2898-0827  
[www.ziehl-abegg.com.br](http://www.ziehl-abegg.com.br)  
[info@ziehl-abegg.com.br](mailto:info@ziehl-abegg.com.br)

Type  
RH56C-ZID.GG.CR

Article number  
114631



## Contents

1.	Rubriküberschrift1 (CB_AF_Headline1)	<b>Erro! Indicador não definido.</b>
----	--------------------------------------	--------------------------------------

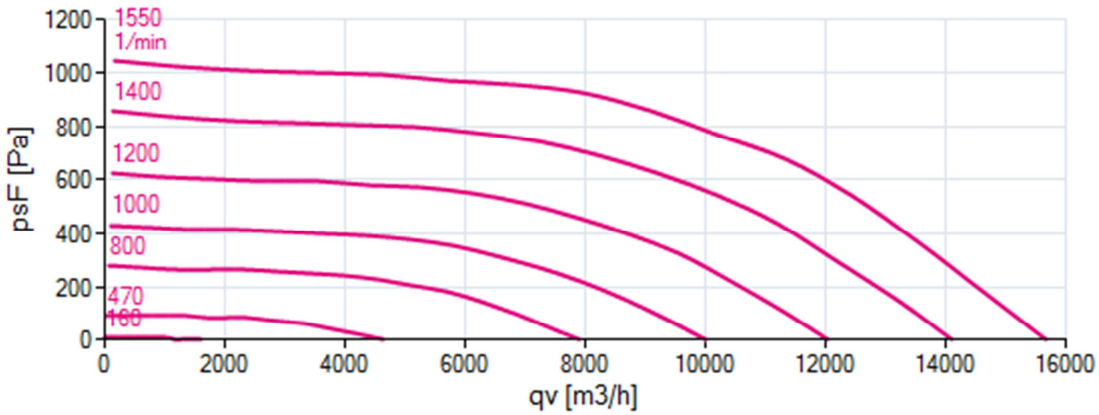
### 1. Product specification

#### Technical data

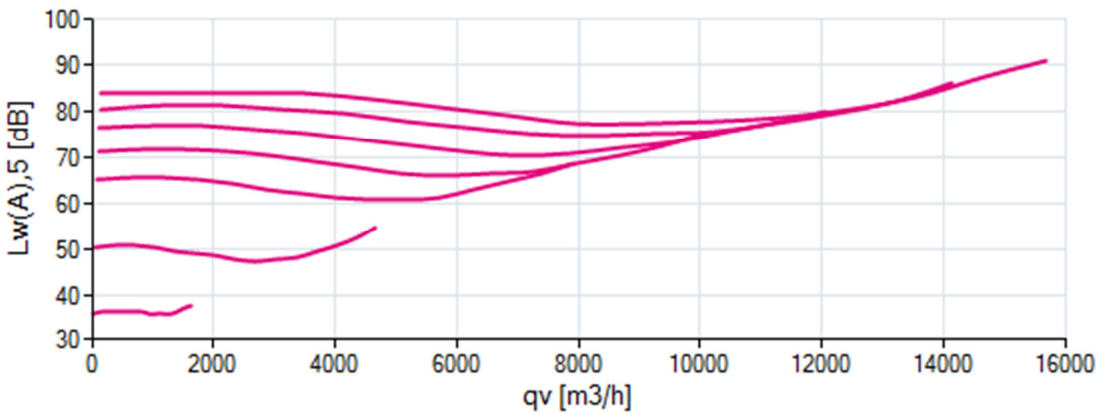
Article number	114631
Type	RH56C-ZID.GG.CR
Designation	Single inlet impeller with backward curved blades.
Rated values	3~380-480V 50/60Hz P <sub>1</sub> 3,40kW 5,40-4,20A 1550min <sup>-1</sup> 45°C
Electrical connection	Integrated controller
Control	ECblue basic
Min. operating temperature [°C]	-20
Painting stator	Stator unpainted
coating rotor	Rotor with 1 coatpaint
Colour sheet rotor	1K RAL 5002 (ultramarine blue)
Material impeller	Impeller made of ZAMid
Painting impeller	unpainted
Colour impeller	like RAL 5002 (ultramarine blue)
Connection diagram	1360-403
Installation position	H/Vu/Vo
Motor protection	integrated active temperaturemanagement
Type of protection	IP54
Thermal class	Thermal class 155
Impregnation	Moisture and hot climate protection
Balancing	2,5
Quality of bearings	ball bearing with long-time lubrication
Labelling UL/CSA	MK152-ZID.11.UA
Certification	UL Listed Product
Weight kg	27,00
ErP Data	Efficiency $\eta_{statA}$ : 70,2 % Efficiency: $N_{actual} = 75,2 / N_{target} = 62^*$ *ErP 2015

### 2. Characteristic Curve

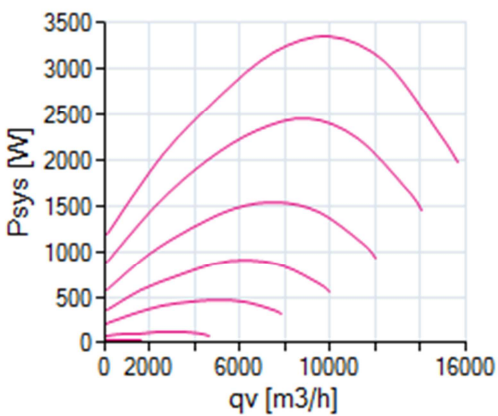
#### Air performance



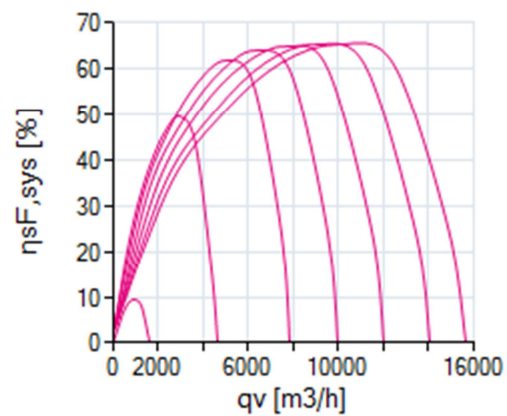
#### Acoustics



#### Power input



#### Efficiency



measured in standard nozzle in installation type A according to ISO 5801

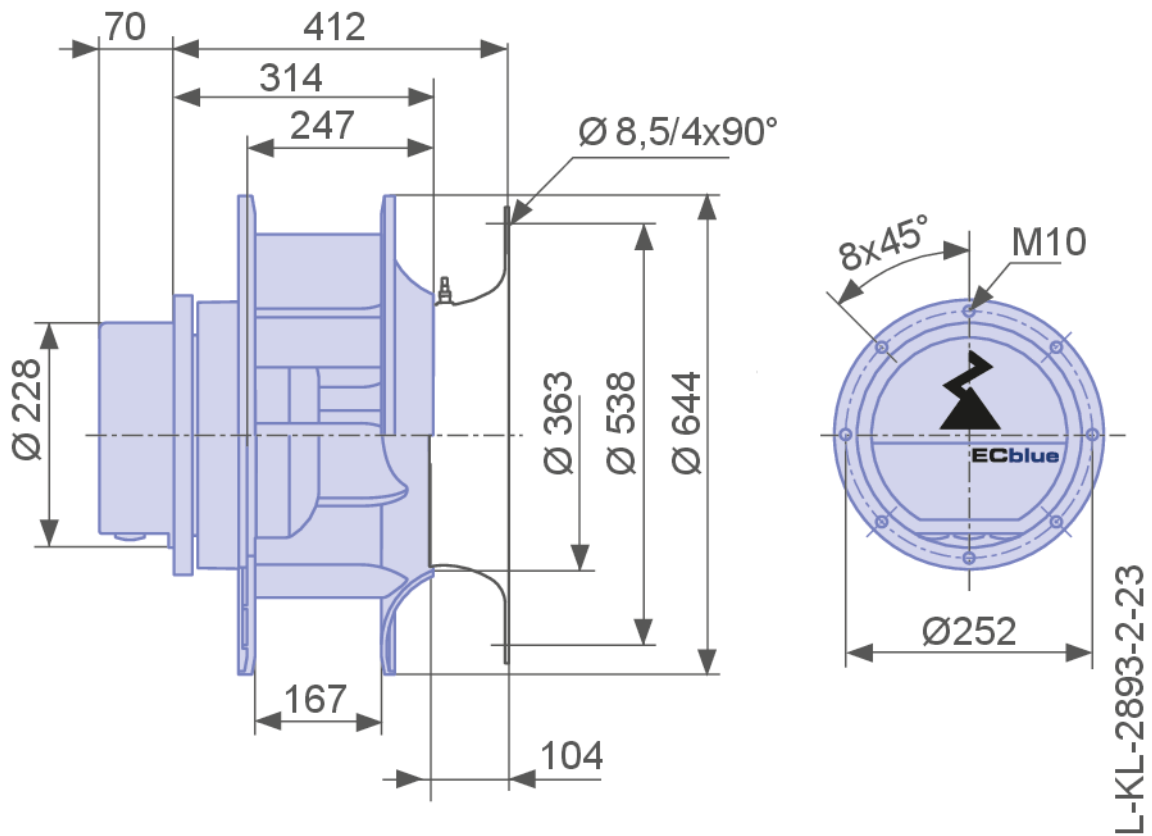
Please note: It's not allowed to use this fan in the stall area!\*

\*In doubt please ask your responsible ZIEHL-ABEGG sales contact.

### Data of operating point

frequency ( $f_{BP}$ )	60
mains supply	3~ 400V 60Hz
guard grille	yes

### 3. Drawing

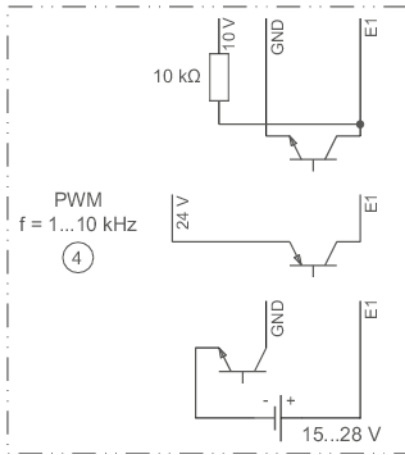
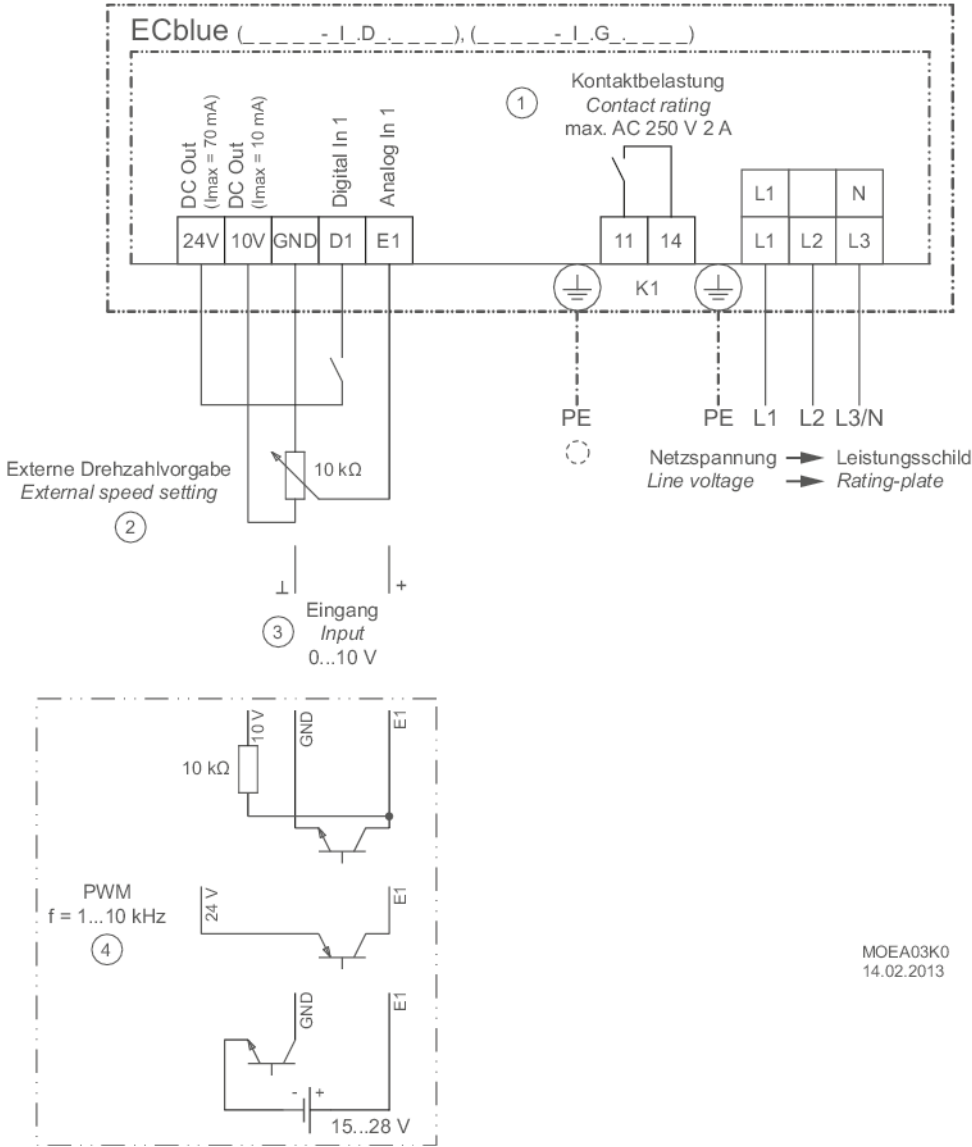


Dimensions in mm

Shown drawing is just to show the dimensions of the fan.

### 4. Connection diagram

1360-403



MOEA03K0  
14.02.2013

### 5. EU-Declaration of conformity

#### EC-Declaration of conformity

- Translation -  
(english)  
ZA75-GB 1616 Index 011  
00285644-GB

**Manufacturer:** ZIEHL-ABEGG SE  
Heinz-Ziehl-Straße  
74653 Künzelsau  
Germany

The manufacturer is solely responsible for issuance of the declaration of conformity.

#### The products:

- External rotor motor MK.., MW..
- Axial fan FA.., FB.., FC.., FE.., FF.., FS.., FT.., FH.., FL.., FN.., FV.., DN.., VR.., VN.., ZC.., ZF.., ZN..
- Centrifugal fan RA.., RD.., RE.., RF.., RG.., RH.., RK.., RM.., RR.., RZ.., GR.., ER..
- Cross-flow fan QK.., QR.., QT.., QG..

#### The engine type:

- Asynchronous internal or external rotor motor
- Asynchronous internal or external rotor motor with integrated frequency inverter, except EDP system
- Electronically commutated (EC) internal or external rotor motor
- Electronically commutated internal or external rotor motor with integrated EC Controller, except EDP system

#### These products comply with the following EU directives:

- EMC Directive 2014/30/EU
- Low voltage directive 2014/35/EU
- ErP Directive 2009/125/EC, in conjunction with Regulation (EU) no. 327/2011

#### The following harmonized standards are in use:

EN 60034-1:2010 + Cor.:2010                      EN 61000-6-3:2007 + A1:2011 + AC:2012  
EN 60204-1:2006 + A1:2009 + AC:2010        EN 61000-6-2:2005 + AC:2005  
EN 60529:1991 + A1:2000 + A2:2013

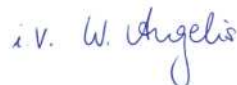
Compliance with the ErP Directive 2009/125/EC does not refer to external rotor motors MK.., MW..

All ErP-relevant information comprises measurements which are determined using a standardised measurement set-up. More details can be obtained from the manufacturer.

Compliance with the EMC Directive 2014/30 / EU refers only to those products when they are connected by mounting / operating instructions . If these products are integrated into a system or supplemented with other components (eg. sensing controls) and operated , the manufacturer or operator is responsible of the overall system for compliance with the EMC Directive 2014/30 / EU .

Künzelsau, 20.04.2016  
(Location, date of issue)

ZIEHL-ABEGG SE  
Dr. W. Angelis  
Technical Director Air Movement Division  
(Name, Function)



(Signature)





The Royal League in ventilation, control and drive technology

## Intelligent control technology for any application

**ZIEHL-ABEGG system capabilities:  
Everything from a single source – perfectly matched for optimal performance**

Please contact us. We would be pleased to design an individual solution for your requirements.

We would like to welcome you on our worldwide exhibitions. Please find our next exhibitions [here](#).